



ISO9001



6D-0669



CE-0575



TS2710585  
-2010



ZHEJIANG DONGYA  
VALVE CO.,LTD.

[Http://www.china-valve.com](http://www.china-valve.com)

**Eaav**

**DIN**

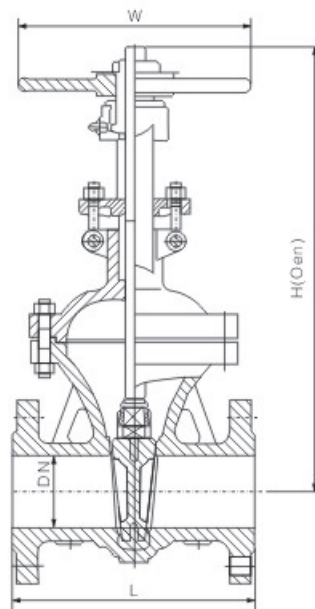


Gate Valve

● Technical specification

- Structural Formation: BB-BG-OS & Y
- Driving Manner: Hand-Operated
- Driving Manner: Electric-Actuated
- Design Standard: DIN3352
- Face to Face: DIN3202
- Flange Ends: DIN2543-2547
- Test & Inspection: DIN3230

○ Notes: The size of serial, valve connecting flange can be design according to customers' requirement.



● Main part material and property

Body	GS-C25										1.4308
Disc	GS-C25			1.4308	1.4408	Monel	1.4308				
Stern	13Cr			1.4308	1.4408	Monel	F304				
Wedge Disc Sealing Face	13Cr	13Cr	STL	1.4308	STL	1.4408	STL	Monel	1.4308	1.4308	STL
Seat Ring Sealing Face	13Cr	STL	STL	1.4308	STL	1.4408	STL	Monel	1.4308	STL	STL
Body	1.4408			1.4306			1.4301				
Disc	1.4408			1.4306			1.4301				
Stern	1.4408			1.4306			1.4301				
Wedge Disc Sealing Face	1.4408	1.4408	STL	1.4306	1.4306	STL	1.4301	1.4301	STL	STL	
Seat Ring Sealing Face	1.4408	STL	STL	1.4306	STL	STL	1.4301	STL	STL	STL	

● Products performance specification

Nominal Pressure (MPa)	Shell Test (MPa)	Sealing Test (MPa)	Suitable Temp(°C)	Suitable Medium
1.6	2.4	1.76	-110~600°C	Water Oil & Gas
2.5	3.75	2.75		
4.0	6.0	4.4		
6.4	9.6	7.04		

**Rising Stem Gate Valves Din F5 Series**

● Size main dimensions															
Pressure (MPa)		PN1.6MPa													
Size	mm	50	65	80	100	125	150	200	250	300	350	400	450	500	600
L		250	270	280	300	325	350	400	450	500	550	600	650	700	800
H		417	452	530	607	720	790	885	1014	1190	1350	1460	1630	1800	2200
W		200	280	280	300	350	350	400	450	500	600	600	650	700	800
Weight(kg)		16	25	30	55	75	98	150	245	353	490	750	985	1063	1390

● Size main dimensions															
Pressure (MPa)		PN2.5MPa													
Size	mm	50	65	80	100	125	150	200	250	300	350	400	450	500	600
L		250	270	280	300	325	350	400	450	500	550	600	650	700	800
H		417	452	530	607	720	790	885	1014	1190	1350	1460	1630	1800	2200
W		200	280	280	300	350	350	400	450	500	600	600	650	700	800
Weight(kg)		16	31	43	58	82	103	180	265	385	547	835	1050	1130	1500

● Size main dimensions															
Pressure (MPa)		PN4.0MPa													
Size	mm	50	65	80	100	125	150	200	250	300	350	400	450	500	600
L		250	290	310	350	400	450	550	650	750	850	950	1050	1150	1350
H		404	456	604	607	720	780	875	1260	1480	1605	1788	1956	2168	2601
W		200	280	300	350	350	400	450	500	500	600	650	700	700	800
Weight(kg)		18	32	47	60	95	130	220	290	490	760	900	1250	1450	1700

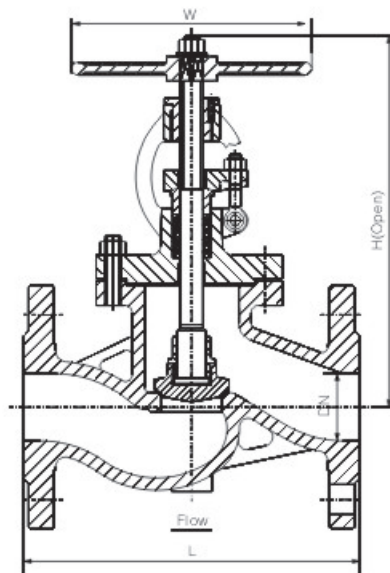
● Size main dimensions															
Pressure (MPa)		PN6.4MPa													
Size	mm	50	65	80	100	125	150	200	250	300	350	400	450	500	600
L		250	290	310	350	400	450	550	650	750	850	950	1050	1150	1350
H		404	456	604	607	720	780	875	1260	1480	1605	1788	1956	2168	2601
W		200	280	300	350	350	400	450	500	500	600	650	700	700	800
Weight(kg)		20	35	52	66	103	140	230	300	510	780	940	1300	1600	1850

Globe Valve

● Technical specification

- Structural Formation: BB-BG-OS & Y
- Driving Manner: Hand-Operated
- Driving Manner: Electric-Actuated
- Design Standard: DIN3356
- Face to Face: DIN3202
- Flange Ends: DIN2543-2545
- Test & Inspection: DIN3230

○ Notes: The size of serial, valve connecting flange can be design according to customers' requirement.



● Main part material and property

Body	GS-C25											1.4308
Disc	GS-C25			1.4308	1.4408	Monel	1.4308					
Stern	13Cr			1.4308	1.4408	Monel	F304					
Disc Sealing Face	13Cr	13Cr	STL	1.4308	STL	1.4408	STL	Monel	1.4308	1.4308	STL	
Seat Ring Sealing Face	13Cr	STL	STL	1.4308	STL	1.4408	STL	Monel	1.4308	STL	STL	
Body	1.4408			1.4306			1.4301					
Disc	1.4408			1.4306			1.4301					
Wedge Disc Sealing Face	1.4408	1.4408	STL	1.4306	1.4306	STL	1.4301	1.4301	STL			
Seat Ring Sealing Face	1.4408	STL	STL	1.4306	STL	STL	1.4301	STL	STL			

● Products performance specification

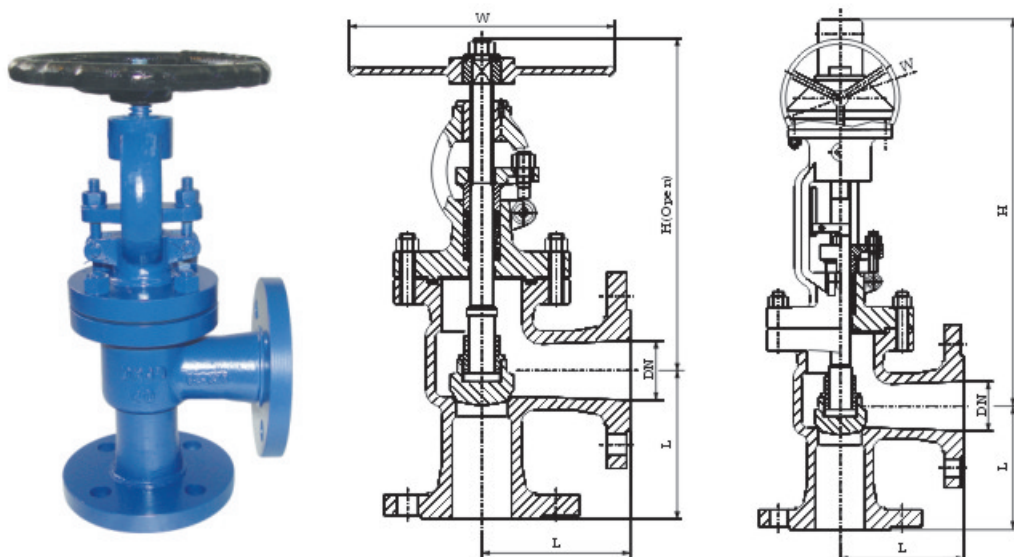
Nominal Pressure (MPa)	Shell Test (MPa)	Sealing Test (MPa)	Suitable Temp(°C)	Suitable Medium
1.6	2.4	1.76	-110 ~ 600 °C	Water Oil & Gas
2.5	3.75	2.75		
4.0	6.0	4.4		
6.4	9.6	7.04		

Globe Valve

● Size main dimensions																	
Pressure (MPa)		PN1.6MPa															
Size	mm	15	20	25	32	40	50	65	80	100	125	150	200	250	300	350	400
L		130	150	160	180	200	230	290	310	350	400	480	600	650	750	850	950
H		240	260	276	285	300	305	354	402	437	496	541	699	815	914	1189	1350
W		120	140	160	160	180	200	200	750	250	300	350	400	450	500	550	600
Weight(kg)		5.2	7.1	7.4	8.5	13	20	25	35	50	75	100	210	446	648	805	1050
Pressure (MPa)		PN2.5MPa															
Size	mm	15	20	25	32	40	50	65	80	100	125	150	200	250	300	350	400
L		130	150	160	180	200	230	290	310	350	400	480	600	650	750	850	950
H		240	260	276	285	300	325	363	415	453	505	556	744	864	948	1269	1450
W		120	140	160	160	180	200	200	250	300	350	400	450	500	550	600	600
Weight(kg)		6	7.5	8	9	14	22	27	38	55	82	105	220	450	660	810	1100
Pressure (MPa)		PN4.0MPa															
Size	mm	15	20	25	32	40	50	65	80	100	125	150	200	250	300	350	400
L		130	150	160	180	200	230	290	310	350	400	480	600	650	750	850	950
H		240	260	276	285	300	325	370	430	480	532	589	783	888	965	1285	1512
W		120	140	160	160	180	200	200	250	300	350	400	450	500	550	600	600
Weight(kg)		6	7.5	8	9	15	24	30	41	60	85	110	225	460	670	830	1120

● Size main dimensions													
Pressure (MPa)		PN6.4MPa											
Size	mm	40	50	65	80	100	125	150	200	250	300	350	400
L		260	300	340	380	430	500	550	650	775	900	1025	1150
H		300	305	354	402	437	496	541	699	815	914	1189	1350
W		180	200	200	750	250	300	350	400	450	500	550	600
Weight(kg)		17	26	33	45	65	90	120	230	470	680	850	1130
Pressure (MPa)		PN6.4MPa											
Size	mm	40	50	65	80	100	125	150	200	250	300	350	400
L		260	300	340	380	450	500	550	650	775	900	1025	1150
H		300	325	363	415	453	505	556	744	864	948	1269	1450
W		180	200	200	250	300	350	400	450	500	550	600	600
Weight(kg)		19	27	34	46	67	95	125	235	480	690	860	1150
Pressure (MPa)		PN6.4MPa											
Size	mm	40	50	65	80	100	125	150	200	250	300	350	400
L		260	300	340	380	450	500	550	650	775	900	1025	1150
H		300	325	370	430	480	532	589	783	888	965	1285	1512
W		180	200	200	250	300	350	400	450	500	550	600	600
Weight(kg)		20	28	35	49	70	100	130	245	490	710	890	1190

Angle Globe Valve F32 Series



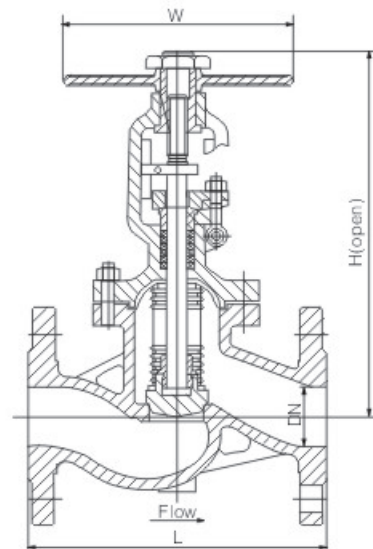
● Size main dimensions																	
Pressure (MPa)		PN1.6 MPa															
Size	mm	15	20	25	32	40	50	65	80	100	125	150	200	250	300	350	400
L		90	95	100	105	115	250	270	280	330	360	390	460	530	630	690	750
H		246	260	276	285	300	305	354	402	437	496	541	699	815	914	1189	1350
W		120	140	160	160	180	200	200	750	250	300	350	400	450	500	550	600
Weight(kg)		6	7.5	8	9	14	22	27	38	55	82	105	220	450	660	810	1100
Pressure (MPa)		PN2.5 MPa															
Size	mm	15	20	25	32	40	50	65	80	100	125	150	200	250	300	350	400
L		90	95	100	105	115	250	270	280	330	360	390	460	530	630	690	750
H		246	260	276	285	300	325	363	415	453	505	556	744	864	948	1269	1450
W		120	140	160	160	180	200	200	250	300	350	400	450	500	550	600	600
Weight(kg)		6	7.5	8	9	15	24	30	41	60	85	110	225	460	670	830	1120
Pressure (MPa)		PN4.0 MPa															
Size	mm	15	20	25	32	40	50	65	80	100	125	150	200	250	300	350	400
L		90	95	100	105	115	250	270	280	330	360	390	460	530	630	690	750
H		246	260	276	285	300	325	370	430	480	532	589	783	888	965	1285	1512
W		120	140	160	160	180	200	200	250	300	350	400	450	500	550	600	600
Weight(kg)		8	10	12	16	17	26	33	45	65	90	120	230	470	680	850	1130

**Globe Valve Bellow Seal Acc**

**● Technical specification**

- Structural Formation: BB-BG-CS & Y
- Driving Manner: Hand-Operated
- Driving Manner: Electric-Actuated
- Design Standard: DIN3356
- Face to Face: DIN3202
- Flange Ends: DIN2543-2545
- Test & Inspection: DIN3230

○ Notes: The size of serial, valve connecting flange can be design according to customers' requirement.



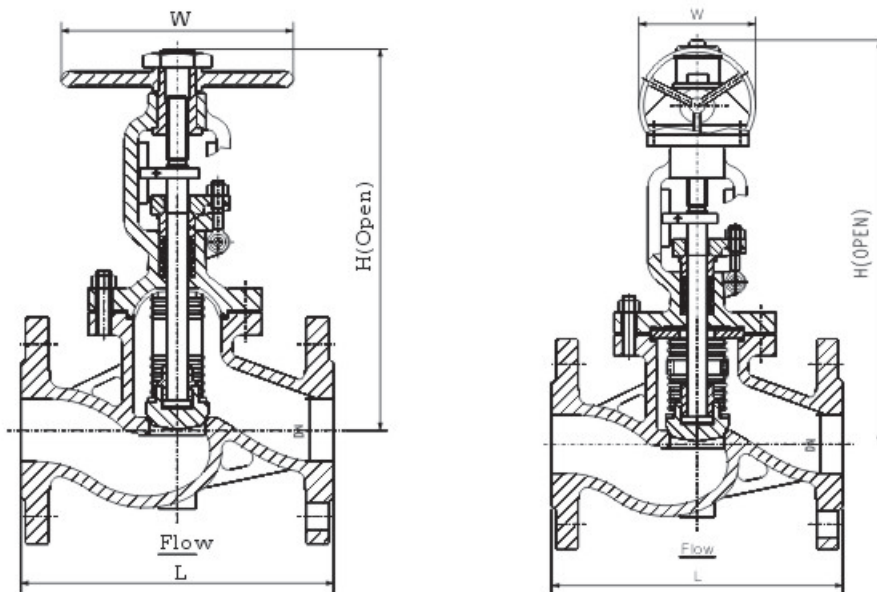
**● Products performance specification**

Nominal Pressure (MPa)	Shell Test (MPa)	Sealing Test (MPa)	Suitable Temp (°C)	Suitable Medium
1.6	2.4	1.76	≤350 °C	Water Oil & Gas
2.5	3.75	2.75		
4.0	6.0	4.4		
6.4	9.6	7.04		

**● Main parts materials**

NO.	Part name	Material
1	Body	GS-C25 1.73631.4308, 1.4408, 1.4306, 1.4301
2	Disc	ASTM A182-Gr.F6a ASTM A182-F22 ASTM A182-F304, F316, F321, F304L, F316L
3	Pin	ASTM A182-Gr.F6a ASTM A182-F22 ASTM A182-F304, F316, F321, F304L, F316L
4	Bellow assemble	1Cr18Ni9Ti, 304, 316
5	Stem	ASTM A182-Gr.F6a ASTM A182-F22 ASTM A182-F304, F316, F321, F304L, F316L
6	Bonnet	GS-C25 1.73631.4308, 1.4408, 1.4306, 1.4301
7	Packing	Flexible graphite, PTFE
8	Gland	GS-C25 1.73631.4308, 1.4408, 1.4306, 1.4301
9	Guide piece	25, 45, 304, 316
10	Yoke nut	ZQA19-4
11	Handwheel	WCB, QT400-18
12	Bolt	ASTM A193-B7, A193-B8, A193-B8M
13	Nut	ASTM A194-2H, A194-8, A194-8M
14	Gasket	Flexible graphite + stainless steel, PTFE

Stop Valve Bellow Seal Acc



Face to Face: PN16/25/40 DN ≤200 According to F1  
DN ≥250 According to F7

● Size main dimensions															
Pressure	ZDDWJ41- PN16														
Size	15	20	25	32	40	50	65	80	100	125	150	200	250	300	350
L	130	150	160	180	200	230	290	310	350	400	480	600	650	750	850
H	195	200	220	225	235	250	260	265	370	400	515	550	600	630	680
W	130	130	130	130	150	150	180	180	200	200	400	450	450	500	500
Weight	4	4.5	5	7	9	12.5	18	23	41	54	90	160	260	410	610
Pressure	ZDDWJ41- PN25														
Size	15	20	25	32	40	50	65	80	100	125	150	200	250	300	350
L	130	150	160	180	200	230	290	310	350	400	480	600	650	750	850
H	195	200	220	225	235	250	260	265	370	400	515	550	600	630	680
W	130	130	130	130	150	150	180	180	200	200	400	450	450	450	450
Weight	4	4.5	5	7.5	9.5	13	19	24	43	57	95	168	300	510	680
Pressure	ZDDWJ41- PN40														
Size	15	20	25	32	40	50	65	80	100	125	150	200	250	300	350
L	130	150	160	180	200	230	290	310	350	400	480	600	650	750	850
H	195	200	220	225	235	250	260	265	370	400	515	550	600	630	680
W	130	130	130	130	150	150	180	180	200	200	400	450	450	500	500
Weight	4	4.5	5	8	10	13.5	20	25	45	60	98	171	340	580	780

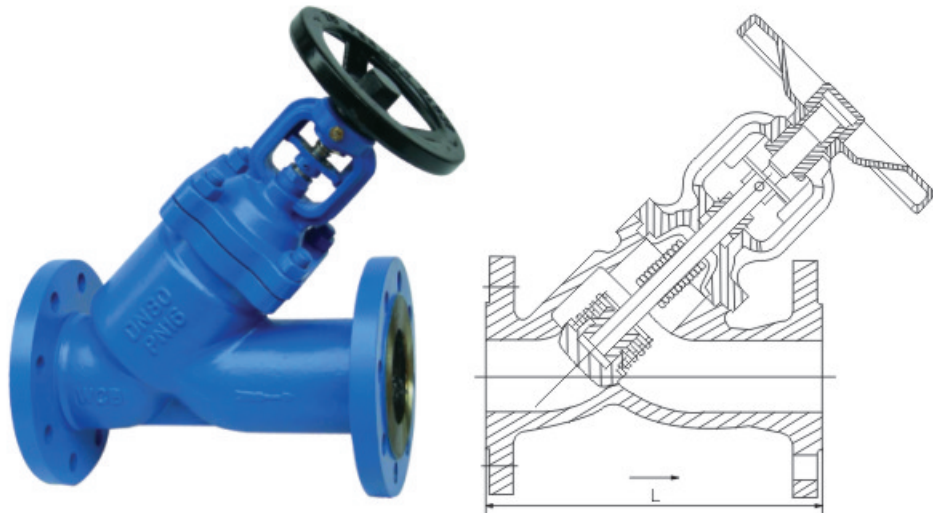


**Rising Stem Globe Valves Din F5 Series**

**● Technical specification**

- Structural Formation: BB-BG-CS & Y
- Driving Manner: Hand-Operated
- Driving Manner: Electric-Actuated
- Design Standard: DIN3356
- Face to Face: DIN3202
- Flange Ends: DIN2543-2545
- Test & Inspection: DIN3230

○ Notes: The size of serial, valve connecting flange can be design according to customers' requirement.



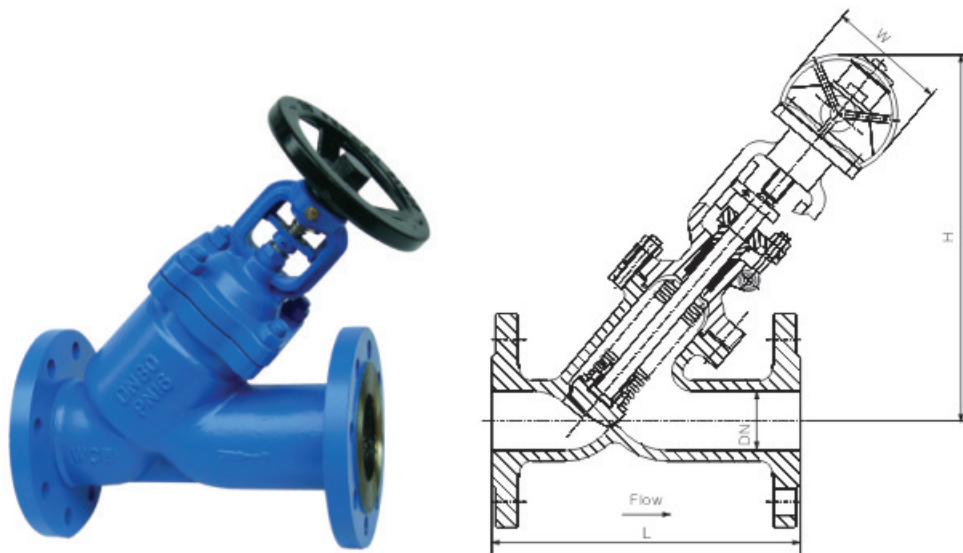
**● Main parts materials**

NO.	Part name	Material
1	Body	GS-C25 1.73631.4308, 1.4408, 1.4306, 1.4301
2	Disc	ASTM A182-Gr.F6a ASTM A182-F22 ASTM A182-F304, F316, F321, F304L, F316L
3	Pin	ASTM A182-Gr.F6a ASTM A182-F22 ASTM A182-F304, F316, F321, F304L, F316L
4	Stem	ASTM A182-Gr.F6a ASTM A182-F22 ASTM A182-F304, F316, F321, F304L, F316L
5	Bellow assemble	1Cr18Ni9Ti, 304, 316
6	Bonnet	GS-C25 1.73631.4308, 1.4408, 1.4306, 1.4301
7	Packing	Flexible graphite, PTFE
8	Gland	GS-C25 1.73631.4308, 1.4408, 1.4306, 1.4301
9	Handwheel	WCB, QT400-18
10	Yoke nut	ZQA19-4
11	Bolt	ASTM A193-B7, A193-B8, A193-B8M
12	Nut	ASTM A194-2H, A194-8, A194-8M
13	Gasket	Flexible graphite+ stainless steel, PTFE

**● Products performance specification**

Nominal Pressure (MPa)	Shell Test (MPa)	Sealing Test (MPa)	Suitable Temp(°C)	Suitable Medium
1.6	2.4	1.76	≤350 °C	Water Oil & Gas
2.5	3.75	2.75		
4.0	6.0	4.4		
6.4	9.6	7.04		

**Y-type Globe Valve With Bellow Seal Acc**



Face to Face: PN16/25/40 DN ≤200 According to F1  
 DN ≥250 According to F7

● Size main dimensions

Pressure	ZDDWJ45- PN16														
Size	15	20	25	32	40	50	65	80	100	125	150	200	250	300	350
L	130	150	160	180	200	230	290	310	350	400	480	600	650	750	850
H	195	195	200	200	230	235	260	275	350	385	445	605	730	805	880
W	120	140	140	180	200	220	260	280	300	340	400	450	450	500	500
Weight	4	4.5	5	7	9	12.5	18	23	41	54	90	160	260	410	610
Pressure	ZDDWJ45- PN25														
Size	15	20	25	32	40	50	65	80	100	125	150	200	250	300	350
L	130	150	160	180	200	230	290	310	350	400	480	600	650	750	850
H	195	195	200	200	230	235	260	275	350	385	445	605	730	805	880
W	120	140	140	180	200	220	260	280	300	340	400	450	450	500	500
Weight	4	4.5	5	7.5	9.5	13	19	24	43	57	95	168	300	510	680
Pressure	ZDDWJ45- PN40														
Size	15	20	25	32	40	50	65	80	100	125	150	200	250	300	350
L	130	150	160	180	200	230	290	310	350	400	480	600	650	750	850
H	195	195	200	200	230	235	260	275	350	385	445	605	730	805	880
W	120	140	140	180	200	220	260	280	300	340	400	450	450	500	500
Weight	4	4.5	5	8	10	13.5	20	25	45	60	98	171	340	580	780

**Ball Valve**

● **Product structural features**

Ball valve seal acc. to DIN is applicable to the cutting and connection of pipelines medium that are used in various industries such as petroleum, chemical industry, pharmacy, chemical fertilizer, electric power industry etc under nominal pressure of PN1.6~10MPa and working temperature within -196~150℃.

● **Main structural features**

1. The product has indication of open-close and locking system;
2. The stem has function of anti-blow out, anti fire-safe and anti-static function;
3. The part material flange, and butting weld end dimension may be selected according to current operation condition and user's requirement, so that meeting the requirement of various engineering.

● **Technical specification**

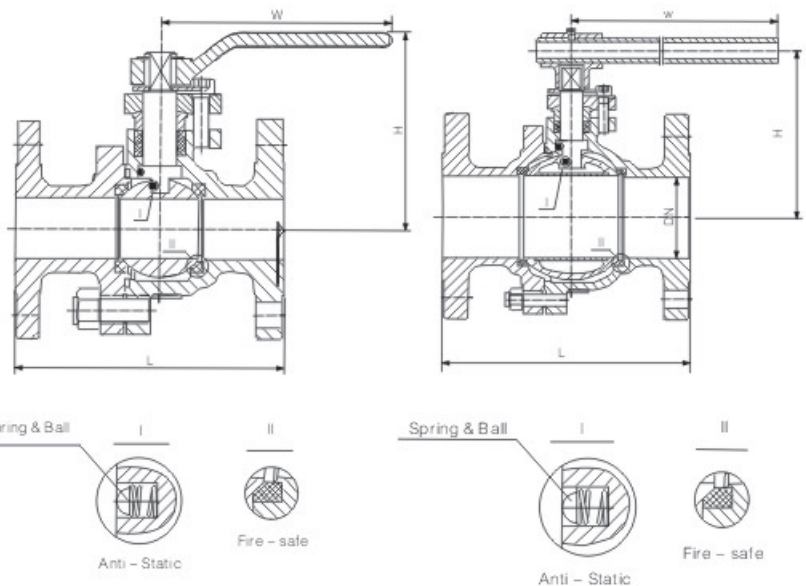
Structural Formation	BB-BG-OS & Y
Driving Manner	Hand-Operated
Driving Manner	Electric-Actuated
Design Standard	DIN3356
Face to Face	DIN3202
Flange Ends	DIN2543-2551
Test & Inspection	DIN3230

Notes: The size of serial, valve connecting flange can be design according to customers' requirement.

● **Products performance specification**

Nominal Pressure (MPa)	Shell Test (MPa)	Sealing Test (MPa)	Suitable Temp(℃)	Suitable Medium
1.6	2.4	1.76	-196~150℃	Water Oil & Gas
2.5	3.75	2.75		
4.0	6.0	4.4		
6.4	9.6	7.04		
10.0	1.5	11		

Ball Valve



● Size main dimensions

PN 16

DN	15	20	25	32	40	50	65	80	100	125	150	200
L	130	140	150	165	180	200	220	250	280	320	360	400
H	78	84	95	150	150	190	195	215	250	285	330	370
H1	140	160	180	250	300	350	350	400	600	600	800	1000
Wt(Kg)	3	4	5	10	14	20	25	30	40	65	73	85

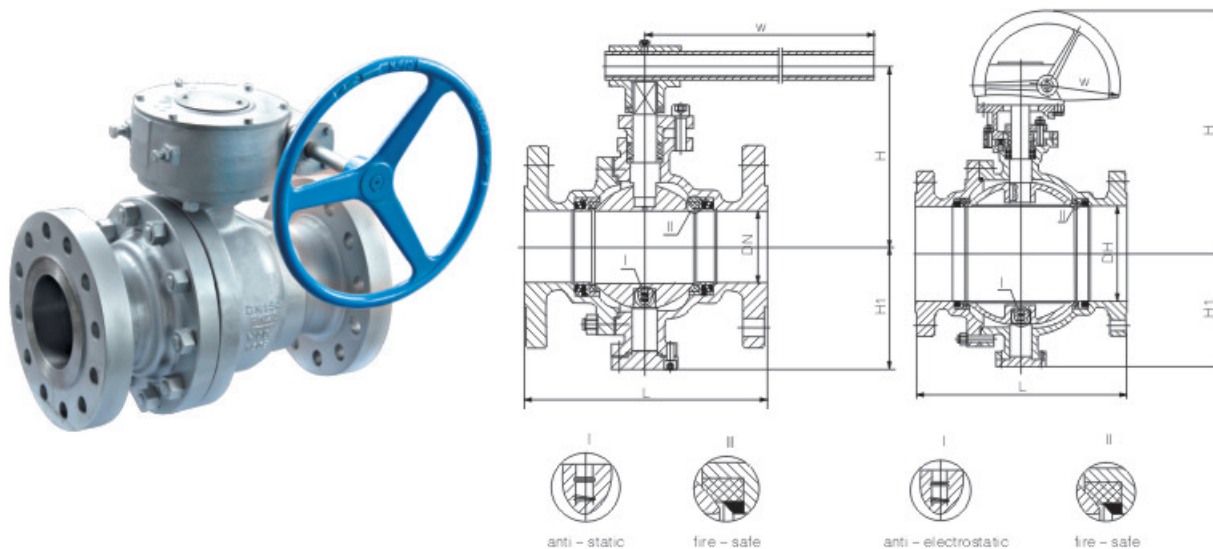
PN 25

DN	15	20	25	32	40	50	65	80	100	125	150	200
L	130	140	150	165	180	200	220	250	280	320	360	400
H	78	84	95	150	150	190	195	215	250	285	330	370
H1	140	160	180	250	300	350	350	400	600	600	800	1000
Wt(Kg)	3	4	5	10	14	20	25	30	40	65	73	85

PN 40

DN	15	20	25	32	40	50	65	80	100	125	150	200
L	130	140	150	165	180	200	220	250	280	403	403	502
H	82	100	104	150	150	190	195	215	250	260	275	335
H1	140	160	180	250	300	350	350	400	600	600	800	800
Wt(Kg)	3	4	5	10	14	20	25	50	70	80	85	101

Ball Valve



● Size main dimensions

PN 16 / 25

DN	50	65	80	100	125	150	200	250	300	350	400	450	500	600	700	800	900	1000	
L	RF	179	191	203	229	356	394	457	533	610	686	762	846	914	1067	1245	1372	1524	1753
	BW	216	241	283	305	381	457	521	559	635	762	838	914	991	1143	1346	1524	1727	1880
H	107	125	152	178	300	330	398	495	580	625	670	698	840	1050	1100	1150	1247	1374	
H1	102	114	127	152	184	219	273	360	395	430	470	550	580	700	800	950	1100	1200	
W	230	400	400	650	1050	105	600	600	800	800	800	800	800	800	800	800	800	800	
Wt(Kg)	12	16	22	35	58	74	205	322	460	576	864	1280	1600	3540	4500	5940	7540	9320	

PN 40

DN	50	65	80	100	125	150	200	250	300	350	400	450	500	600	700	800	900	1000	
L	RF	216	241	283	305	381	403	502	568	648	762	838	914	991	1143	1346	1524	1727	1880
	BW	216	241	283	305	381	457	521	559	635	762	838	914	991	1143	1346	1524	1727	1880
H	107	125	152	178	300	330	398	495	580	625	670	698	840	1050	1100	1150	1247	1374	
H1	102	114	127	152	184	219	273	360	395	430	470	550	580	700	800	950	1100	1200	
W	230	400	400	650	1050	1050	600	600	800	800	800	800	800	800	800	800	800	800	
Wt(Kg)	15	24	30	55	87	118	255	370	533	640	1030	1542	2100	4200	5300	7860	8684	10300	

PN 64

DN	50	65	80	100	150	200	250	300	350	400	500	600	700					
L	RF	292	330	356	406	495	597	673	762	826	902	1054	1232	1397				
	H	108	155	197	235	300	374	445	512	550	615	810	1010	1180				
H1	114	124	133	159	250	294	395	445	500	530	660	800	900					
W	600	600	600	600	600	800	800	800	800	800	800	800	800					
Wt(Kg)	23	35	49	91	192	355	640	880	1100	1540	2800	5300	5700					

PN 100

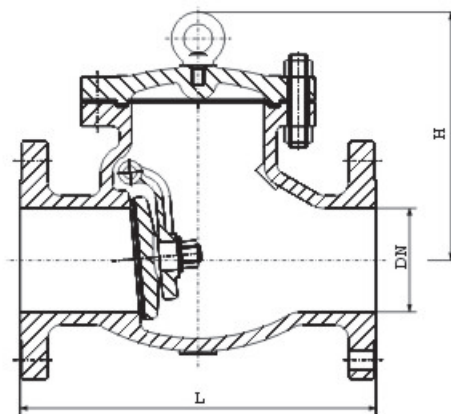
DN	50	65	80	100	150	200	250	300	350	400	500	600	700					
L	RF	292	330	356	432	559	660	787	838	889	991	1194	1397	1579				
	H	108	155	197	235	300	374	445	512	550	615	810	1010	1180				
H1	114	124	133	159	250	294	395	445	500	530	660	800	900					
W	600	600	600	600	600	800	800	800	800	800	800	800	800					
Wt(Kg)	23	38	55	102	232	290	710	960	1700	1970	3250	5800	6700					

Check Valve

● Technical specification

- Structural Formation: BB-BG-OS & Y
- Driving Manner: Hand-Operated
- Driving Manner: Electric-Actuated
- Design Standard: DIN3356
- Face to Face: DIN3202
- Flange Ends: DIN2543-2547
- Test & Inspection: DIN3230

○ Notes: The size of serial, valve connecting flange can be design according to customers' requirement.



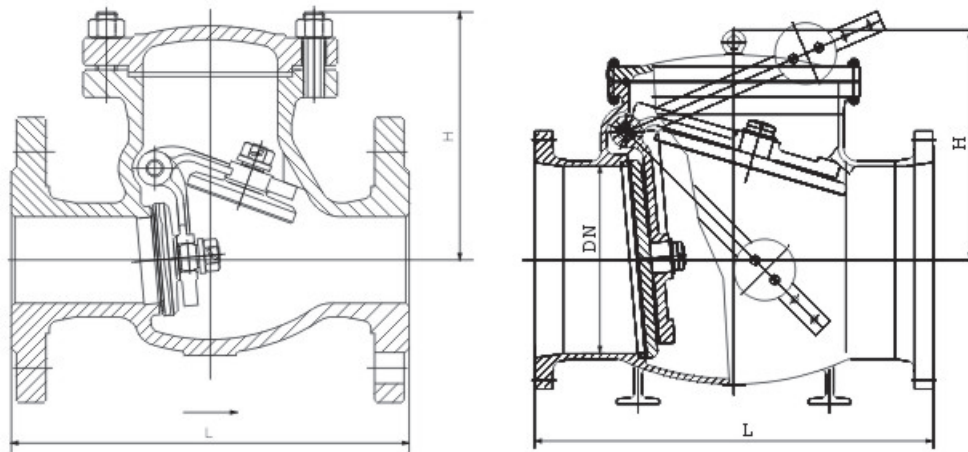
● Main part material and property

Body	GS-C25										
Cover	GS-C25			1.4308		1.4408		Monel	1.4308		
Disc Sealing Face	13Cr	13Cr	STL	1.4308	STL	1.4408	STL	Monel	1.4308	1.4308	STL
Seat Ring Sealing Face	13Cr	STL	STL	1.4308	STL	1.4408	STL	Monel	1.4308	STL	STL
Body	1.4408			1.4306				1.4301			
Cover											
Disc Sealing Face	1.4408	1.4408	STL	1.4306	1.4306	STL	1.4301	1.4301	STL		
Seat Ring Sealing Face	1.4408	STL	STL	1.4306	STL	STL	1.4301	STL	STL		

● Products performance specification

Nominal Pressure (MPa)	Shell Test (MPa)	Sealing Test (MPa)	Suitable Temp(°C)	Suitable Medium
1.6	2.4	1.76	-110~600°C	Water Oil & Gas
2.5	3.75	2.75		
4.0	6.0	4.4		
6.4	9.6	7.04		

**Swing Check Valve**

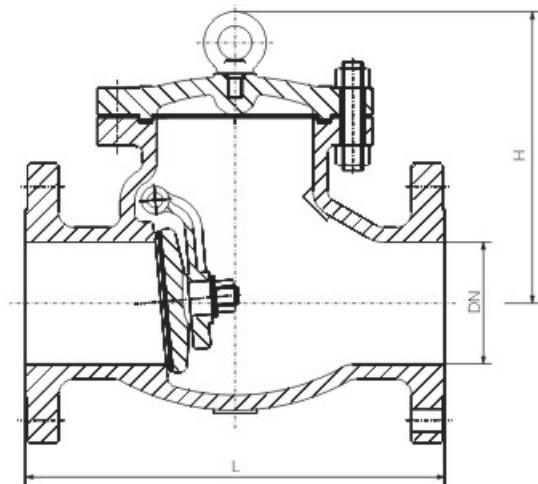


Face to Face: PN 16/25/40 DN ≤ 150 According to F1  
 DN ≥ 200 According to F7

**● Size main dimensions**

Pressure (MPa)		PN1.6MPa										
Size	mm	50	65	80	100	125	150	200	250	300	350	400
L		230	290	310	350	400	480	550	650	750	850	950
H		305	354	402	437	496	541	699	815	914	1189	1350
Weight(kg)		21	28	38	58	92	130	210	295	365	410	460
Pressure (MPa)		PN2.5MPa										
Size	mm	50	65	80	100	125	150	200	250	300	350	400
L		230	290	310	350	400	480	550	650	750	850	950
H		325	363	415	453	505	556	744	864	948	1269	1450
Weight(kg)		22	29	38	61	96	132	213	297	375	415	480
Pressure (MPa)		PN4.0MPa										
Size	mm	50	65	80	100	125	150	200	250	300	350	400
L		230	290	310	350	400	480	550	650	750	850	950
H		325	370	430	480	532	589	783	888	965	1285	1512
Weight(kg)		22	31	41.5	65	100	136	220	305	400	450	510

Swing Check Valve

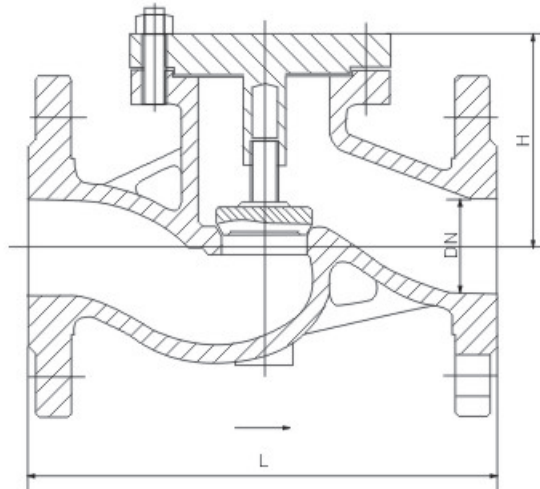


Face to Face: PN64/100/160 According to F2

● Size main dimensions												
Pressure (MPa)		PN6.4 MPa										
Size	mm	50	65	80	100	125	150	200	250	300	350	400
L		300	340	380	430	500	550	650	775	900	1025	1150
H		305	354	402	437	496	541	699	815	914	1189	1350
Weight(kg)		27	37	57	87	135	184	266	396	643	815	1230
Pressure (MPa)		PN10.0 MPa										
Size	mm	50	65	80	100	125	150	200	250	300	350	400
L		300	340	380	430	500	550	650	775	900	1025	1150
H		325	363	415	453	505	556	744	864	948	1269	1450
Weight(kg)		30	40	60	92	140	195	280	406	670	850	1260
Pressure (MPa)		PN16.0 MPa										
Size	mm	50	65	80	100	125	150	200	250	300	350	400
L		300	340	380	430	500	550	650	775	900	1025	1150
H		325	370	430	480	532	589	783	888	965	1285	1512
Weight(kg)		32	42	63	95	145	200	289	415	685	880	1300



**Lift Check Valve**



Face to Face: PN16/25/40 DN ≤200 According to F1  
DN ≥250 According to F7

**● Size main dimensions**

Pressure (MPa)		PN1.6MPa										
Size	mm	50	65	80	100	125	150	200	250	300	350	400
L		230	290	310	350	400	480	600	650	750	850	950
H		305	354	402	437	496	541	699	815	914	1189	1350
Weight(kg)		10	20	30	39	50	70	161	251	395	500	618
Pressure (MPa)		PN2.5MPa										
Size	mm	50	65	80	100	125	150	200	250	300	350	400
L		230	290	310	350	400	480	600	650	750	850	950
H		325	363	415	453	505	556	744	864	948	1269	1450
Weight(kg)		12	22	33	44	55	78	180	270	410	520	650
Pressure (MPa)		PN4.0MPa										
Size	mm	50	65	80	100	125	150	200	250	300	350	400
L		230	290	310	350	400	480	600	650	750	850	950
H		325	370	430	480	532	589	783	888	965	1285	1512
Weight(kg)		13	23	34	46	60	85	190	280	430	550	680